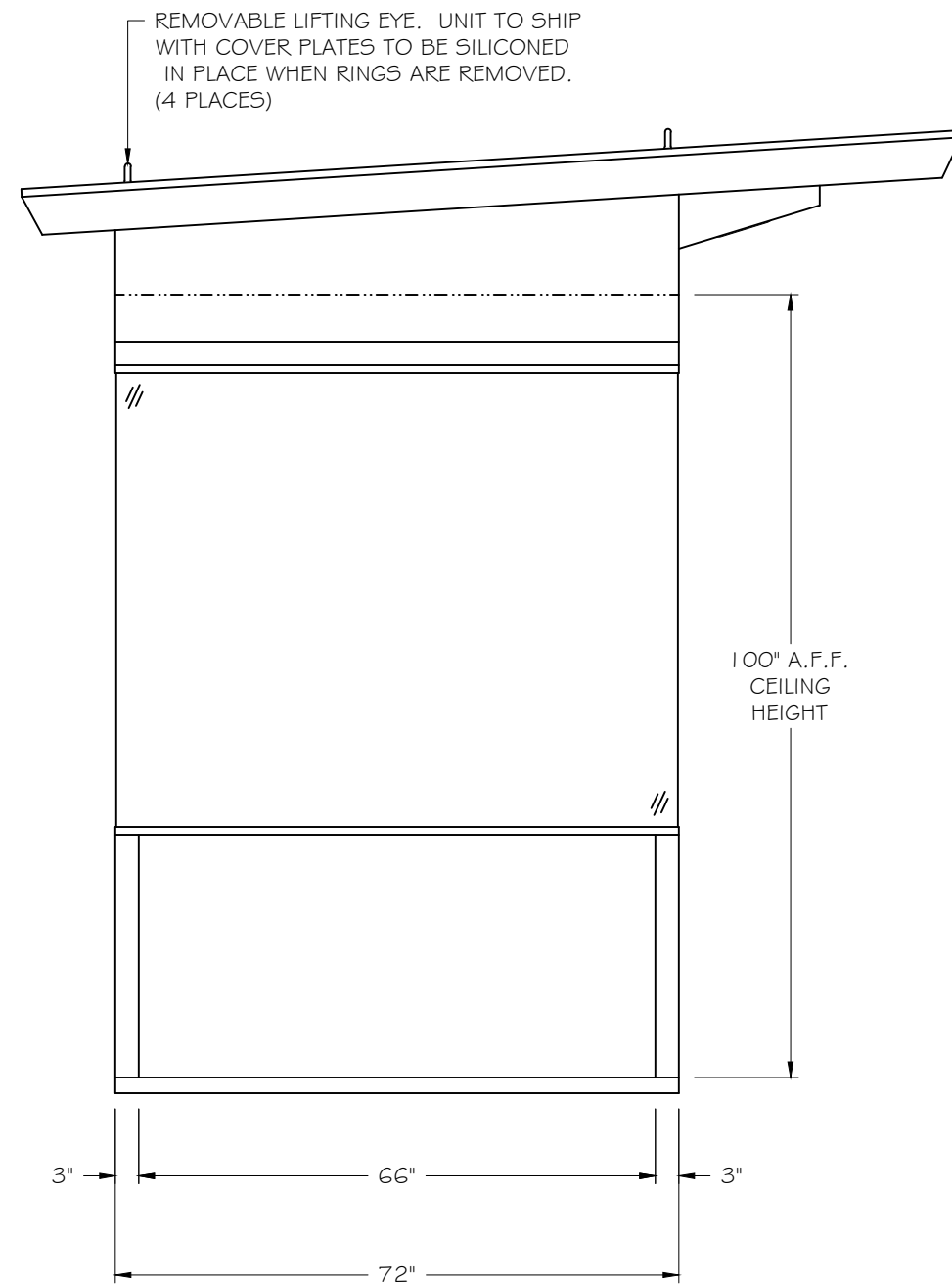


E1 LEFT ELEVATION
SCALE $\frac{1}{2}'' = 1' - 0''$



E2 FRONT ELEVATION
SCALE $\frac{1}{2}'' = 1' - 0''$

B.I.G. ENTERPRISES

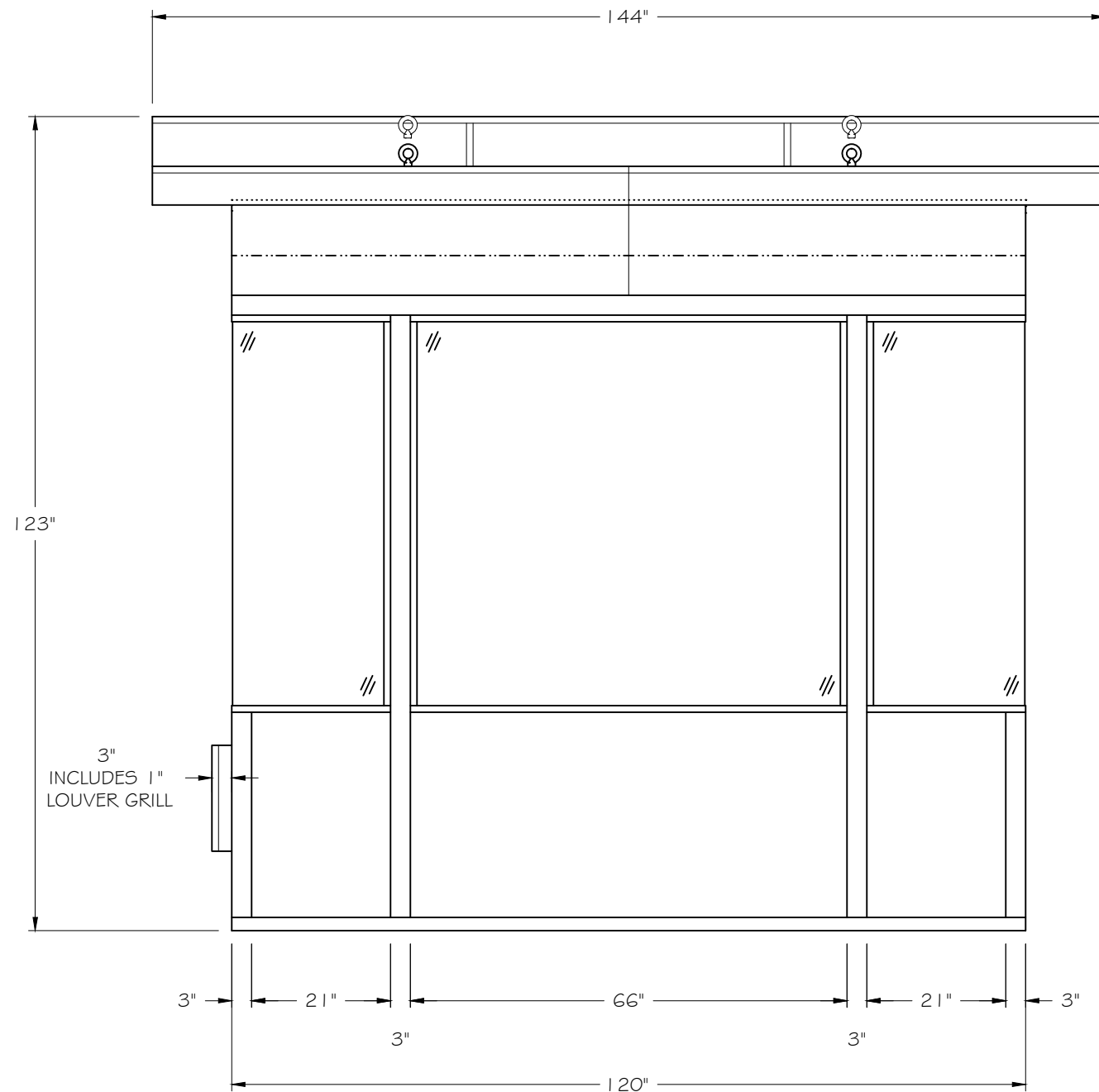
THESE PLANS, DRAWINGS, AND/OR CADD FILES ARE THE COPYRIGHTED WORK OF B.I.G. ENTERPRISES AND IS A TRADEMARK OF B.I.G. ENTERPRISES. COPYING OR UNAUTHORIZED USE OF THESE DESIGNS OR ITS LIKENESS WILL BE PROSECUTED TO THE MAXIMUM EXTENT PERMITTED UNDER APPLICABLE STATE AND FEDERAL LAW. © B.I.G. ENTERPRISES 1988 ALL RIGHTS RESERVED

Wedge

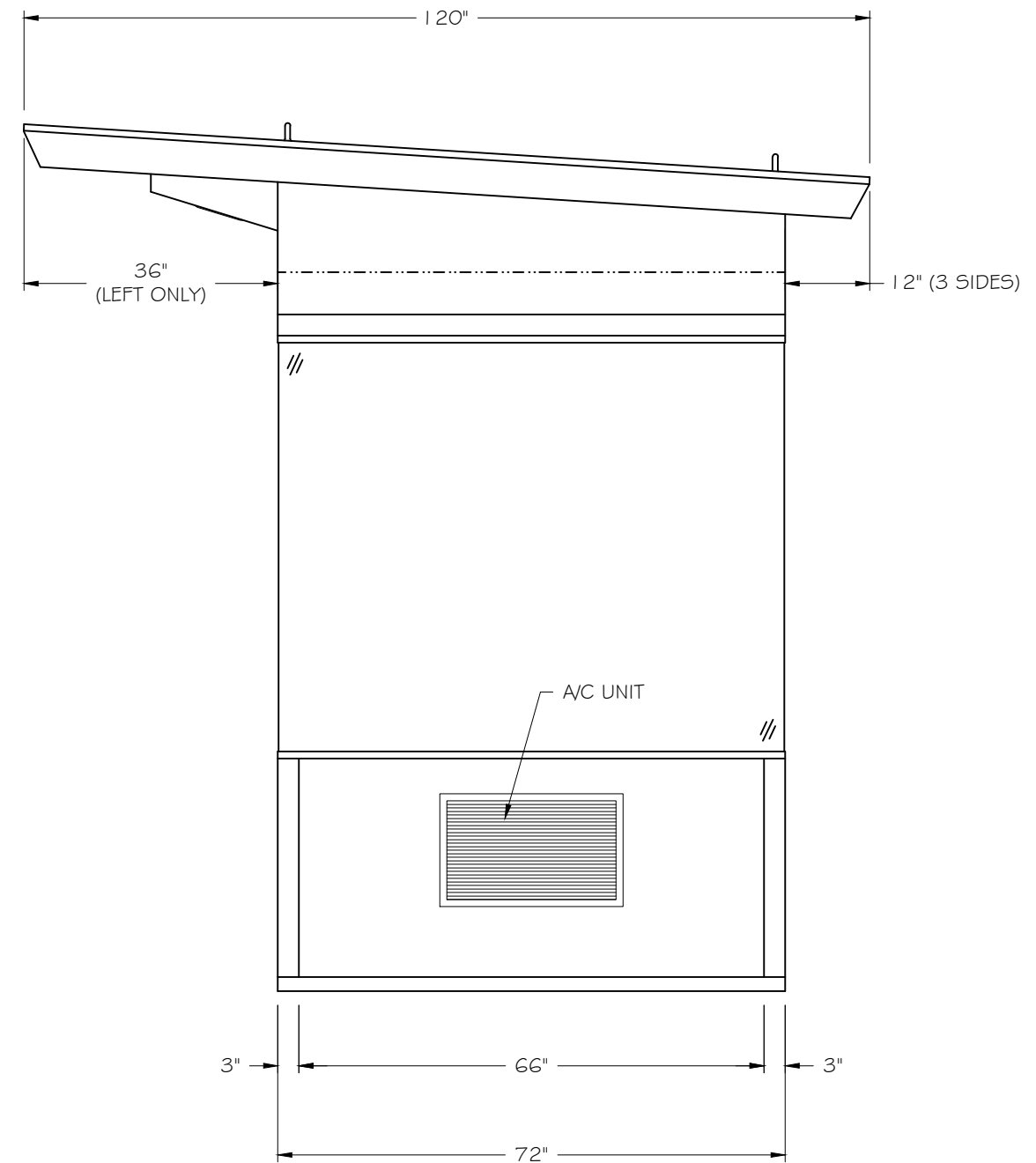
B.I.G. ENTERPRISES, INC.
9702 E. RUSH STREET
SOUTH EL MONTE, CA 91733-1730
(626) 448-1449



THIS IS ONLY A SAMPLE SPECIFICATION AND/OR DRAWING. WE URGE YOU TO DISCUSS YOUR PROJECT WITH A B.I.G. SALES PERSON TO INSURE THIS SAMPLE SPEC, AND/OR DRAWING MEETS YOUR NEEDS AND TO VERIFY ALL CODES WHERE YOUR UNIT WILL BE INSTALLED ARE ACCURATELY IDENTIFIED IN THE DRAWING, AND/OR SPEC.



E3 RIGHT ELEVATION
SCALE $\frac{1}{2}'' = 1' - 0''$



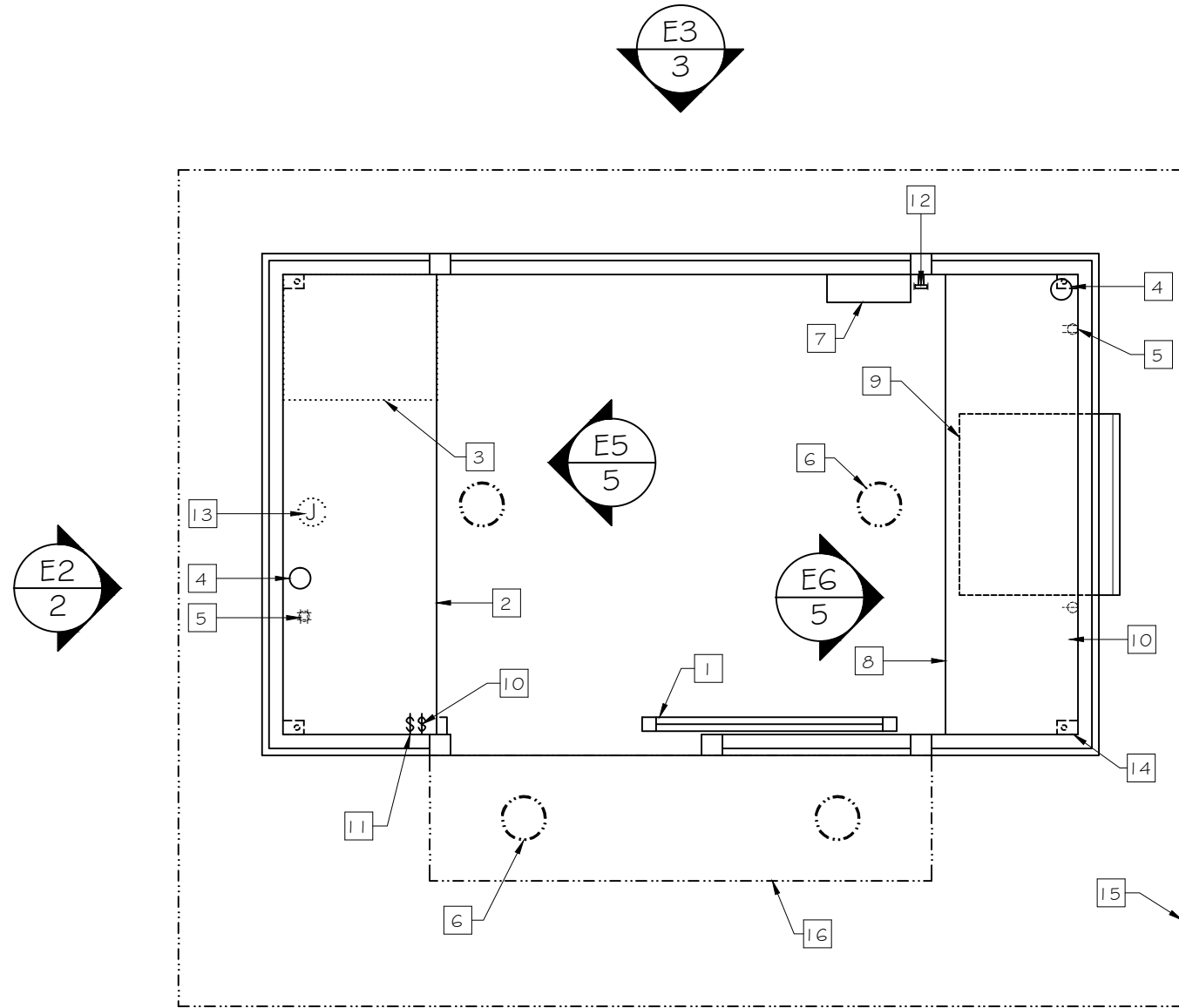
E4 REAR ELEVATION
SCALE $\frac{1}{2}'' = 1' - 0''$

Wedge

B.I.G. ENTERPRISES, INC.
9702 E. RUSH STREET
SOUTH EL MONTE, CA 91733-1730
(626) 448-1449



B.I.G. ENTERPRISES
THESE PLANS, DRAWINGS, AND/OR CADD FILES ARE THE COPYRIGHTED WORK OF B.I.G. ENTERPRISES AND IS A TRADEMARK OF B.I.G. ENTERPRISES. COPYING OR UNAUTHORIZED USE OF THESE DESIGNS OR ITS LIKENESS WILL BE PROSECUTED TO THE MAXIMUM EXTENT PERMITTED UNDER APPLICABLE STATE AND FEDERAL LAW. © B.I.G. ENTERPRISES 1988 ALL RIGHTS RESERVED

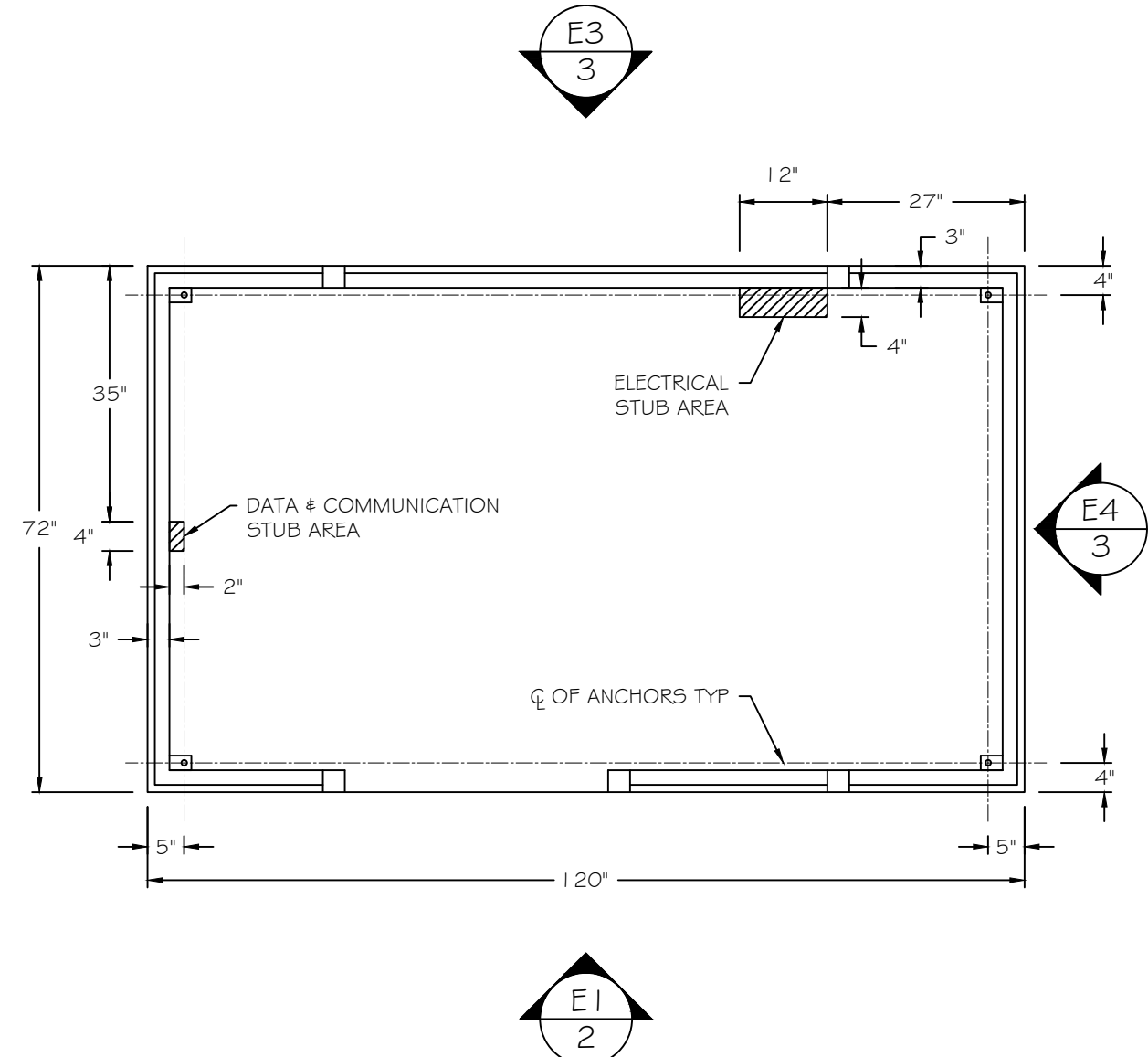


LEGEND:

- | | |
|-----------------------------------|---------------------------|
| 1 SLIDING DOOR | 10 INTERIOR LIGHT SWITCH |
| 2 22" SHELF | 11 EXTERIOR LIGHT SWITCH |
| 3 FILE CABINET | 12 COAT HOOK |
| 4 3" CORD ACCESS HOLE | 13 JUNCTION BOX-DATA/COMM |
| 5 RECEPTACLES (3 PLACES) | 14 ANCHOR CLIP (4 PLACES) |
| 6 FLUORESCENT FIXTURES (4 PLACES) | 15 OVERHANG |
| 7 LOAD CENTER | 16 ARCHITECTURAL WEDGE |
| 8 19" SHELF | |
| 9 AIR CONDITIONER | |

FLOOR PLAN

SCALE $\frac{1}{2}" = 1' - 0"$



STUB AREA

SCALE $\frac{1}{2}" = 1' - 0"$

B.I.G. ENTERPRISES

THESE PLANS, DRAWINGS, AND/OR CADD FILES ARE THE COPYRIGHTED WORK OF B.I.G. ENTERPRISES AND IS A TRADEMARK OF B.I.G. ENTERPRISES. COPYING OR UNAUTHORIZED USE OF THESE DESIGNS OR ITS LIKENESS WILL BE PROSECUTED TO THE MAXIMUM EXTENT PERMITTED UNDER APPLICABLE STATE AND FEDERAL LAW. © B.I.G. ENTERPRISES 1988 ALL RIGHTS RESERVED

Wedge

B.I.G. ENTERPRISES, INC.
9702 E. RUSH STREET
SOUTH EL MONTE, CA 91733-1730
(626) 448-1449

