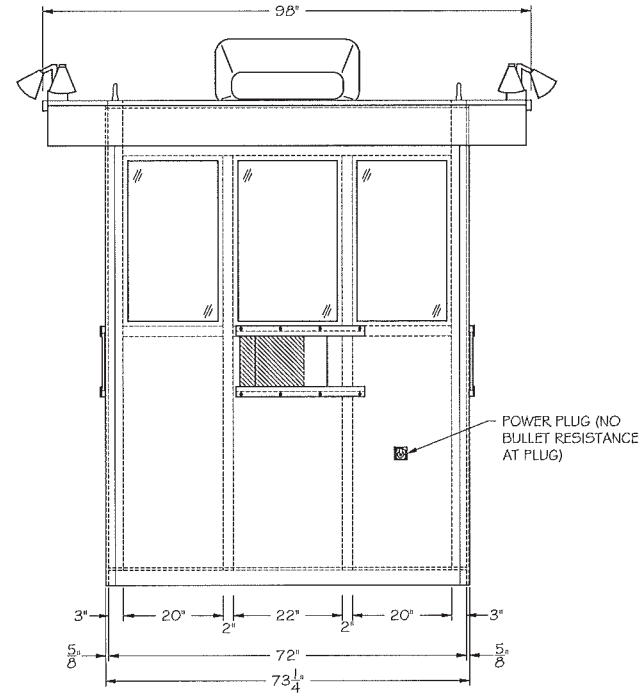


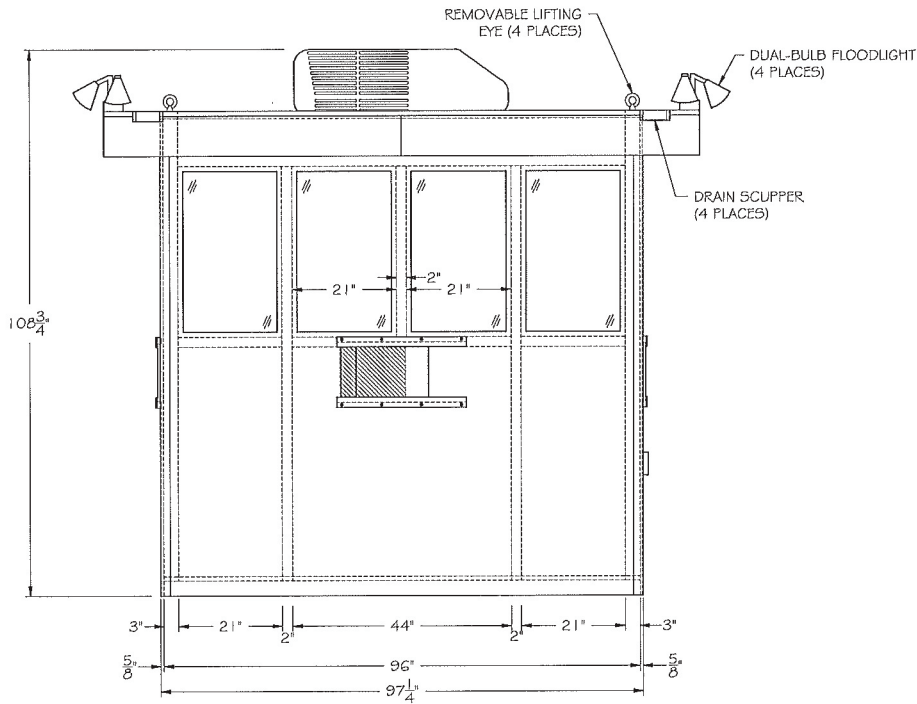
E1 LEFT ELEVATION
SCALE $\frac{1}{2}'' = 1' - 0''$



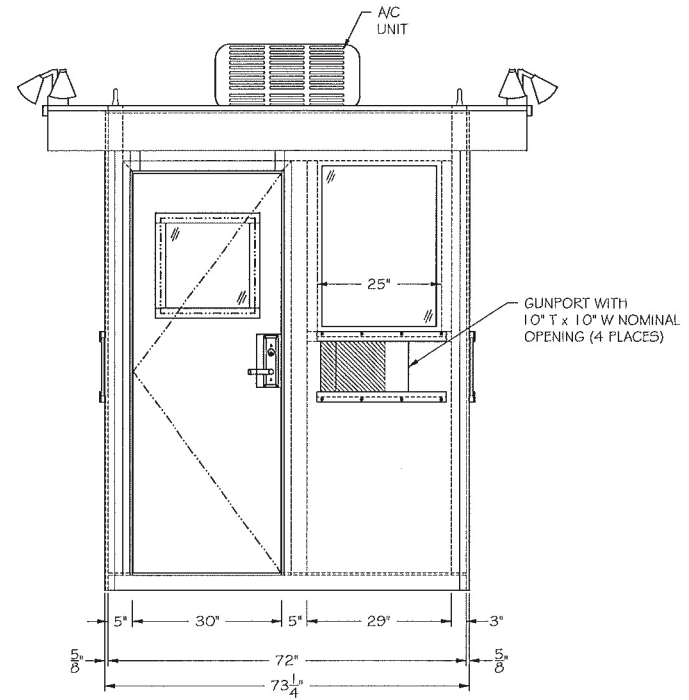
E2 FRONT ELEVATION
SCALE $\frac{1}{2}'' = 1' - 0''$

B.I.G. ENTERPRISES
THESE PLANS, DRAWINGS, AND/OR CADD FILES ARE THE
COPYRIGHTED WORK OF B.I.G. ENTERPRISES AND IS A
TRADEMARK OF B.I.G. ENTERPRISES. COPYING OR UNAUTHORIZED
USE OF THESE DESIGNS OR ITS LIKENESS WILL BE PROSECUTED
TO THE MAXIMUM EXTENT PERMITTED UNDER APPLICABLE STATE
AND FEDERAL LAW. © B.I.G. ENTERPRISES 1988 ALL RIGHTS
RESERVED

THIS IS ONLY A SAMPLE SPECIFICATION AND/OR DRAWING. WE URGE YOU TO DISCUSS YOUR PROJECT WITH A B.I.G. SALES PERSON
TO INSURE THIS SAMPLE SPEC, AND/OR DRAWING MEETS YOUR NEEDS AND TO VERIFY ALL CODES WHERE YOUR UNIT WILL BE
INSTALLED ARE ACCURATELY IDENTIFIED IN THE DRAWING, AND/OR SPEC.



E3 RIGHT ELEVATION
SCALE $\frac{1}{2}'' = 1' - 0''$



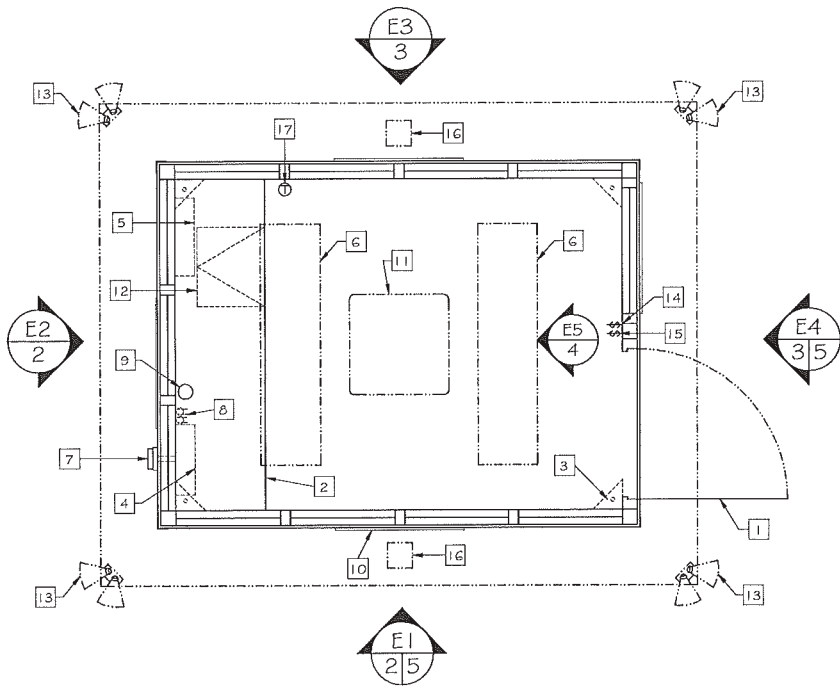
E4 REAR ELEVATION
SCALE $\frac{1}{2}'' = 1' - 0''$

B.I.G. ENTERPRISES

THESE PLANS, DRAWINGS, AND/OR CADD FILES ARE THE
COPYRIGHTED WORK OF B.I.G. ENTERPRISES AND IS A
TRADEMARK OF B.I.G. ENTERPRISES. COPYING OR UNAUTHORIZED
USE OF THESE DESIGNS OR ITS LIKENESS WILL BE PROSECUTED
TO THE MAXIMUM EXTENT PERMITTED UNDER APPLICABLE STATE
AND FEDERAL LAW. B.I.G. ENTERPRISES 1988 ALL RIGHTS
RESERVED.

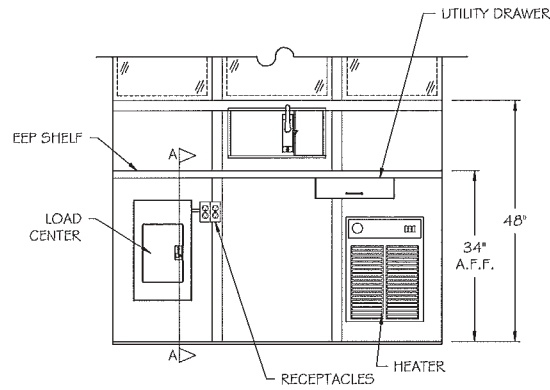
B.I.G. ENTERPRISES, INC.
9702 E. RUSH STREET
SOUTH EL MONTE, CA 91733-1730
(626) 448-1449



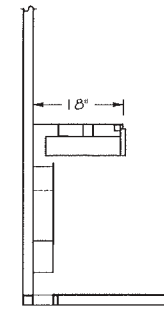


FLOOR PLAN

SCALE $\frac{1}{2}'' = 1' - 0''$



E5 INTERIOR VIEW
SCALE $\frac{1}{2}'' = 1' - 0''$



AA SECTION VIEW
SCALE $\frac{1}{2}'' = 1' - 0''$

LEGEND:

- | | |
|--------------------------------------|-------------------------------------|
| 1 SWING DOOR-GENERAL NOTE #5 | 10 GUN PORTS-GENERAL NOTE #13 |
| 2 18" SHELF-GENERAL NOTE #12 | 11 AIR CONDITIONER-GENERAL NOTE #10 |
| 3 ANCHOR CLIPS-GENERAL NOTE #14 | 12 UTILITY DRAWER-GENERAL NOTE #12a |
| 4 LOAD CENTER-GENERAL NOTE #7 | 13 FLOODLIGHT-GENERAL NOTE #8b |
| 5 HEATER-GENERAL NOTE #11 | 14 EXTERIOR LIGHT SWITCH |
| 6 FLUORESCENT LIGHTS-GENERAL NOTE #8 | 15 INTERIOR LIGHT SWITCH |
| 7 POWER PLUG-GENERAL NOTE #7a | 16 ATTIC VENT |
| 8 RECEPTACLES-GENERAL NOTE #9 | 17 THERMOSTAT |
| 9 3" CORD ACCESS HOLE | |



B.I.G. ENTERPRISES
THESE PLANS, DRAWINGS, AND/OR CADD FILES ARE THE COPYRIGHTED WORK OF B.I.G. ENTERPRISES AND IS A TRADEMARK OF B.I.G. ENTERPRISES. COPYING OR UNAUTHORIZED USE OF THESE DESIGNS OR ITS LIKENESS WILL BE PROSECUTED TO THE MAXIMUM EXTENT PERMITTED UNDER APPLICABLE STATE AND FEDERAL LAW. © B.I.G. ENTERPRISES 1988 ALL RIGHTS RESERVED