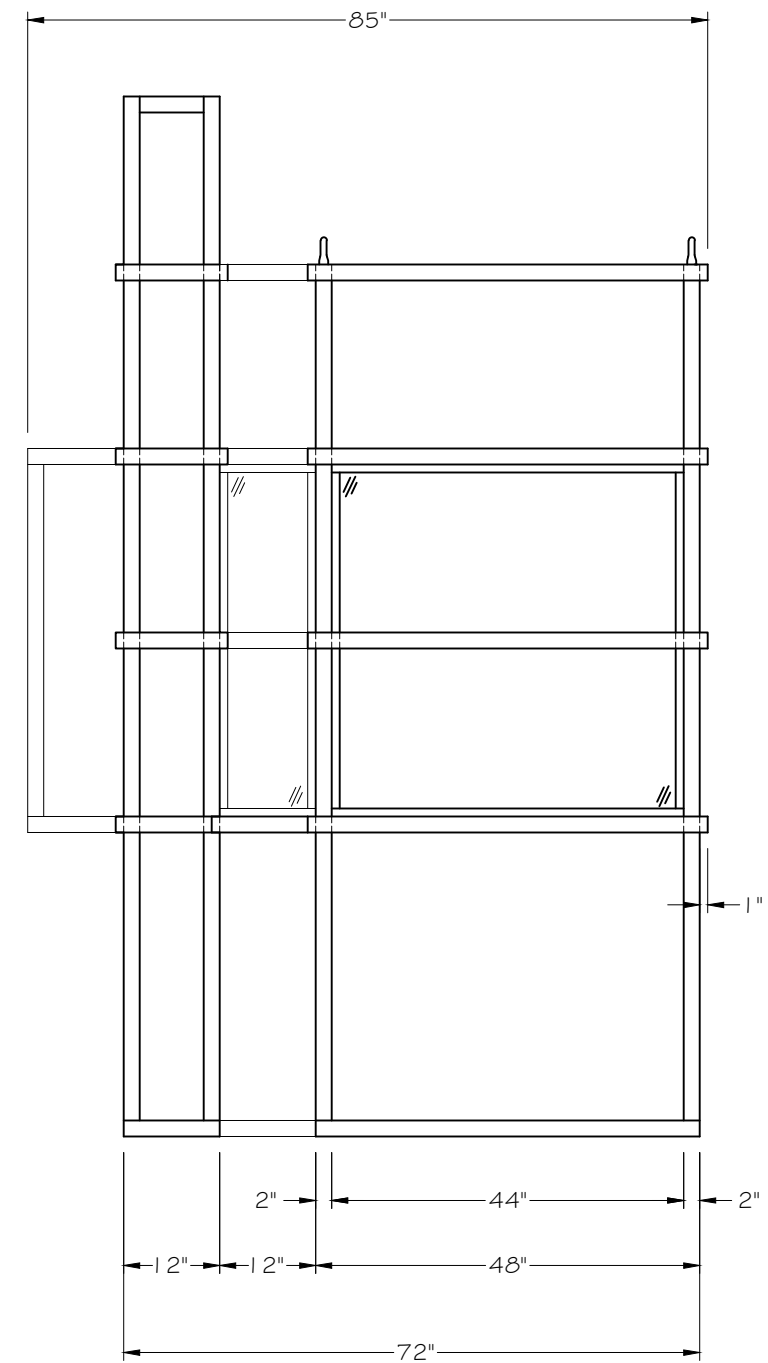


**E1** LEFT ELEVATION  
SCALE  $\frac{1}{2}" = 1' - 0"$



**E2** FRONT ELEVATION  
SCALE  $\frac{1}{2}" = 1' - 0"$

B.I.G. ENTERPRISES

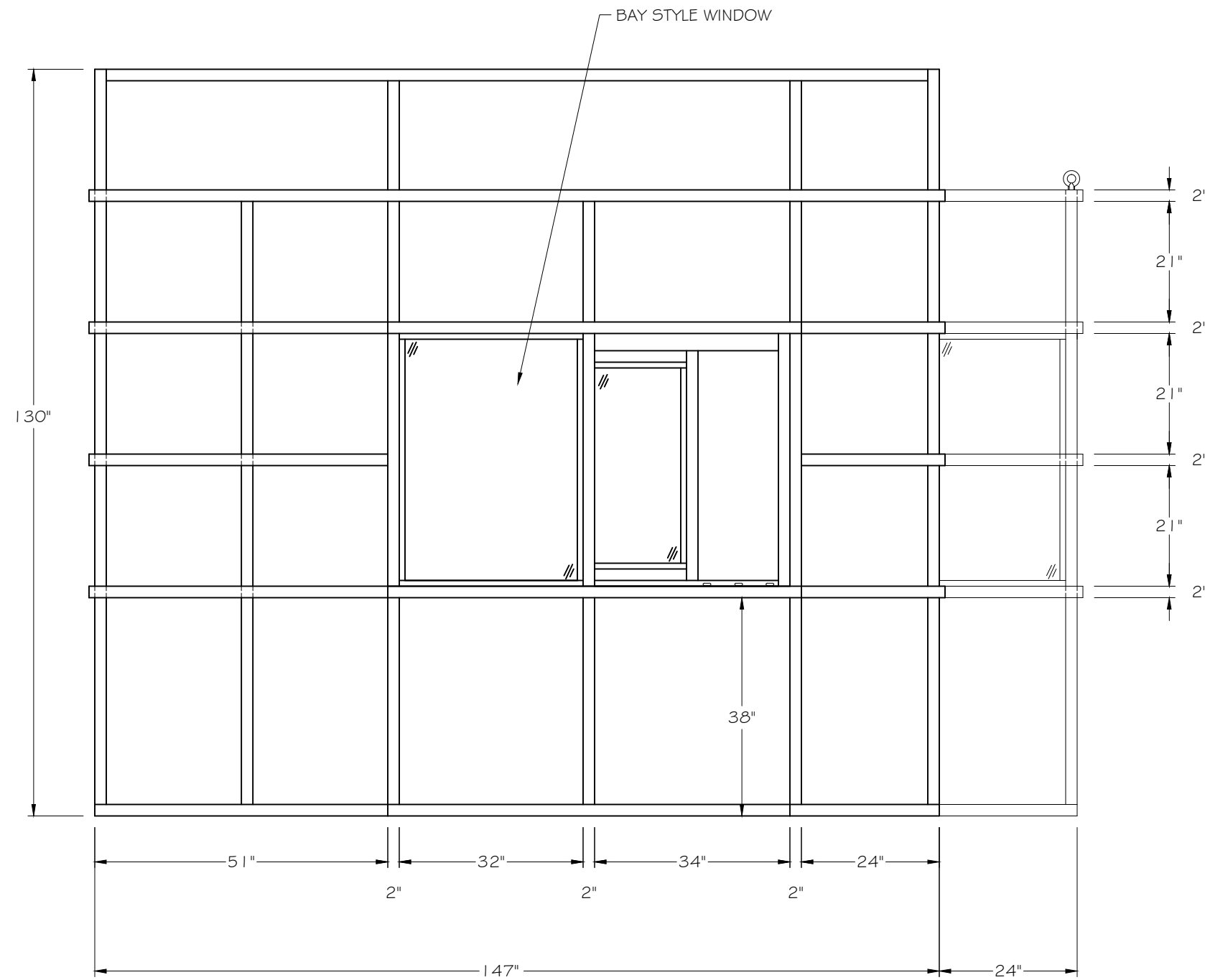
THESE PLANS, DRAWINGS, AND/OR CADD FILES ARE THE COPYRIGHTED WORK OF B.I.G. ENTERPRISES AND IS A TRADEMARK OF B.I.G. ENTERPRISES. COPYING OR UNAUTHORIZED USE OF THESE DESIGNS OR ITS LIKENESS WILL BE PROSECUTED TO THE MAXIMUM EXTENT PERMITTED UNDER APPLICABLE STATE AND FEDERAL LAW. © B.I.G. ENTERPRISES 1988 ALL RIGHTS RESERVED

THIS IS ONLY A SAMPLE SPECIFICATION AND/OR DRAWING. WE URGE YOU TO DISCUSS YOUR PROJECT WITH A B.I.G. SALES PERSON TO INSURE THIS SAMPLE SPEC, AND/OR DRAWING MEETS YOUR NEEDS AND TO VERIFY ALL CODES WHERE YOUR UNIT WILL BE INSTALLED ARE ACCURATELY IDENTIFIED IN THE DRAWING, AND/OR SPEC.

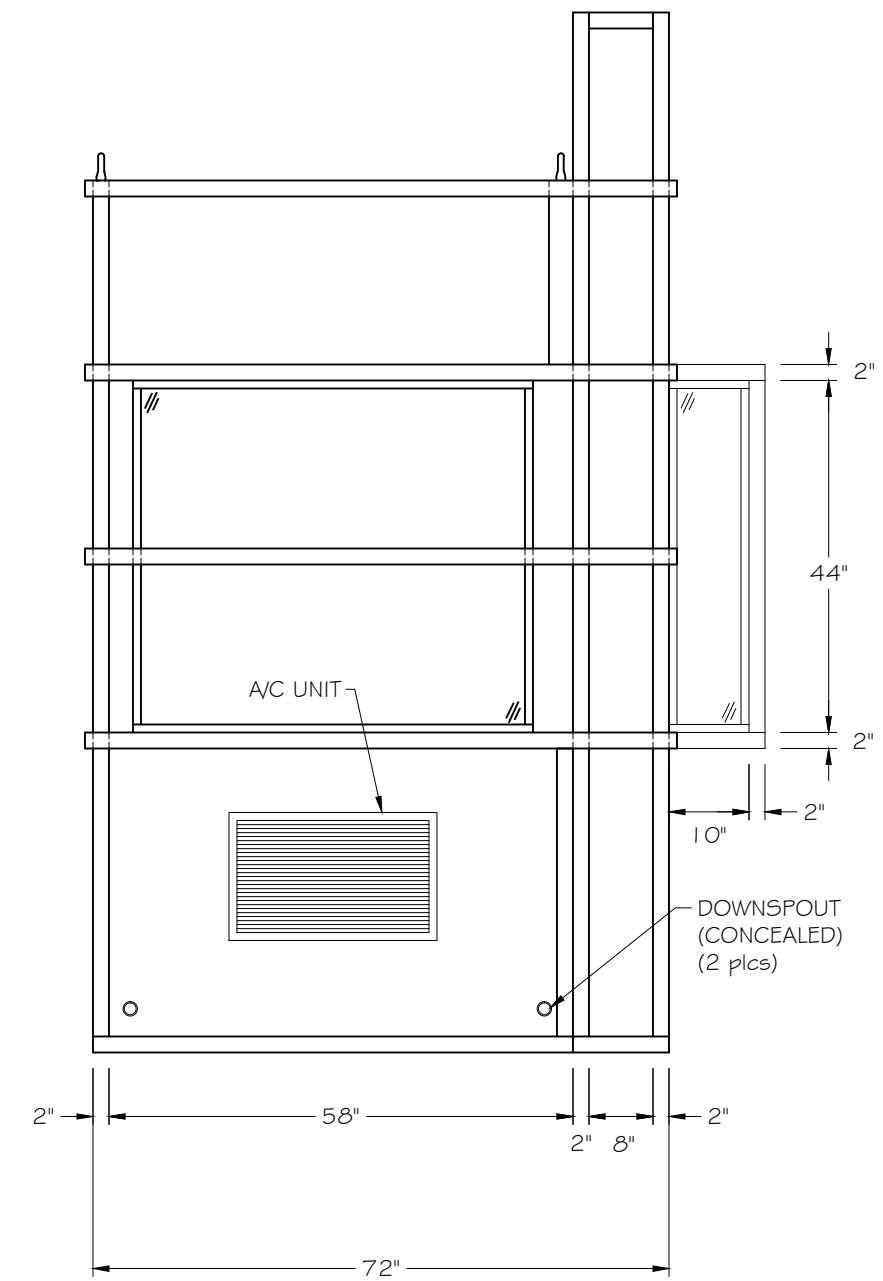
TITAN

B.I.G. ENTERPRISES, INC.  
9702 E. RUSH STREET  
SOUTH EL MONTE, CA 91733-1730  
(626) 448-1449





**E3** RIGHT ELEVATION  
SCALE  $\frac{1}{2}" = 1' - 0"$



**E4** REAR ELEVATION  
SCALE  $\frac{1}{2}" = 1' - 0"$

TITAN

B.I.G. ENTERPRISES

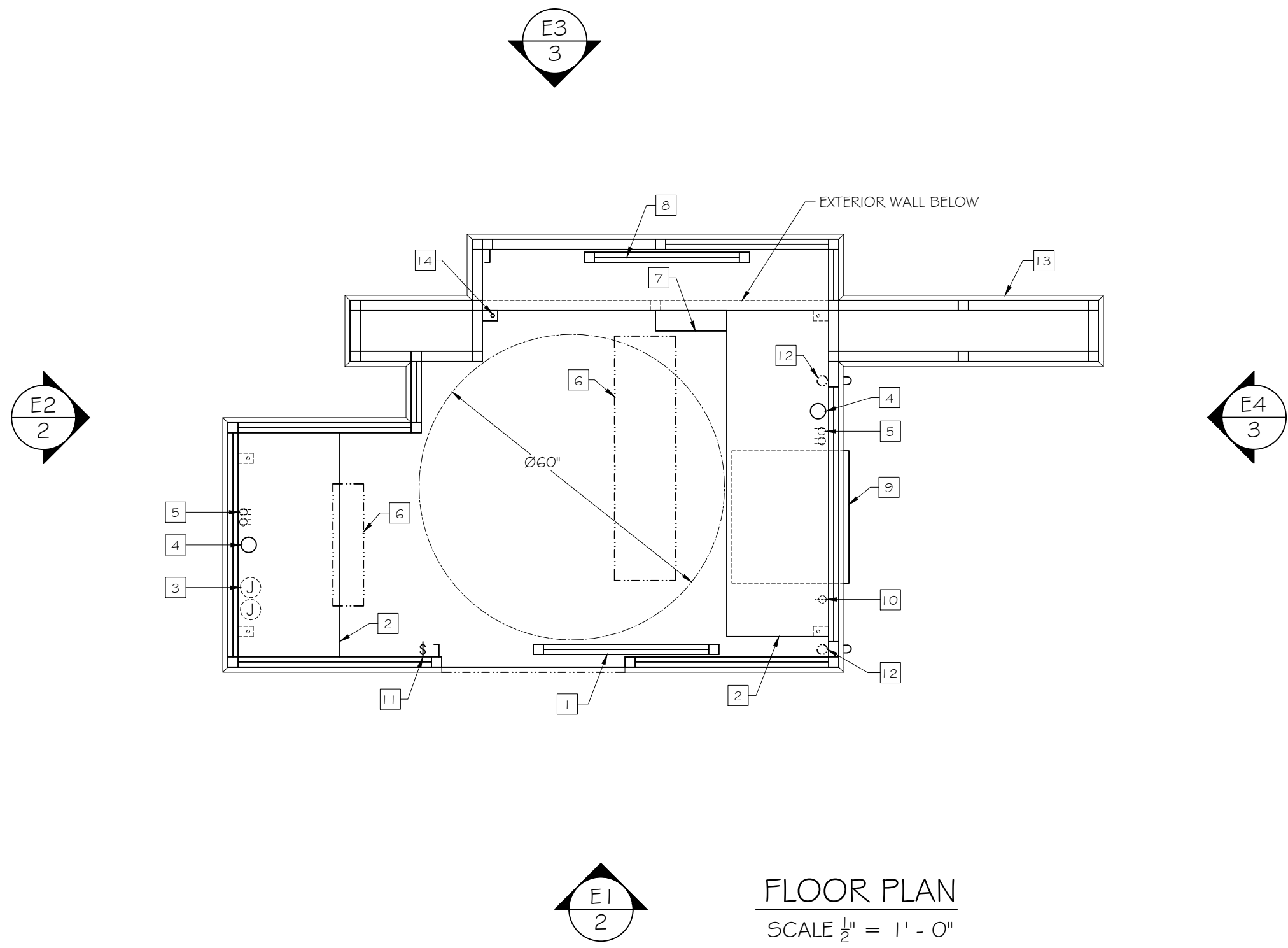
THESE PLANS, DRAWINGS, AND/OR CADD FILES ARE THE COPYRIGHTED WORK OF B.I.G. ENTERPRISES AND IS A TRADEMARK OF B.I.G. ENTERPRISES. COPYING OR UNAUTHORIZED USE OF THESE DESIGNS OR ITS LIKENESS WILL BE PROSECUTED TO THE MAXIMUM EXTENT PERMITTED UNDER APPLICABLE STATE AND FEDERAL LAW. B.I.G. ENTERPRISES 1988 ALL RIGHTS RESERVED

B.I.G. ENTERPRISES, INC.  
9702 E. RUSH STREET  
SOUTH EL MONTE, CA 91733-1730  
(626) 448-1449



**LEGEND:**

- 1 36" x 80" SLIDING DOOR
- 2 20" SHELF
- 3 TEL. JUNCTION BOX
- 4 3" CORD ACCESS HOLE
- 5 RECEPTACLES
- 6 FLUORESCENT FIXTURES
- 7 LOAD CENTER
- 8 SLIDING WINDOW
- 9 AIR CONDITIONERO
- 10 A/C RECEPTACLE
- 11 INTERIOR LIGHT SWITCH
- 12 DOWNSPOUT
- 13 REVEAL
- 14 ANCHOR CLIP (5 PLACES)2



**FLOOR PLAN**  
SCALE 1/2" = 1' - 0"

B.I.G. ENTERPRISES

THESE PLANS, DRAWINGS, AND/OR CADD FILES ARE THE COPYRIGHTED WORK OF B.I.G. ENTERPRISES AND IS A TRADEMARK OF B.I.G. ENTERPRISES. COPYING OR UNAUTHORIZED USE OF THESE DESIGNS OR ITS LIKENESS WILL BE PROSECUTED TO THE MAXIMUM EXTENT PERMITTED UNDER APPLICABLE STATE AND FEDERAL LAW. © B.I.G. ENTERPRISES 1988 ALL RIGHTS RESERVED