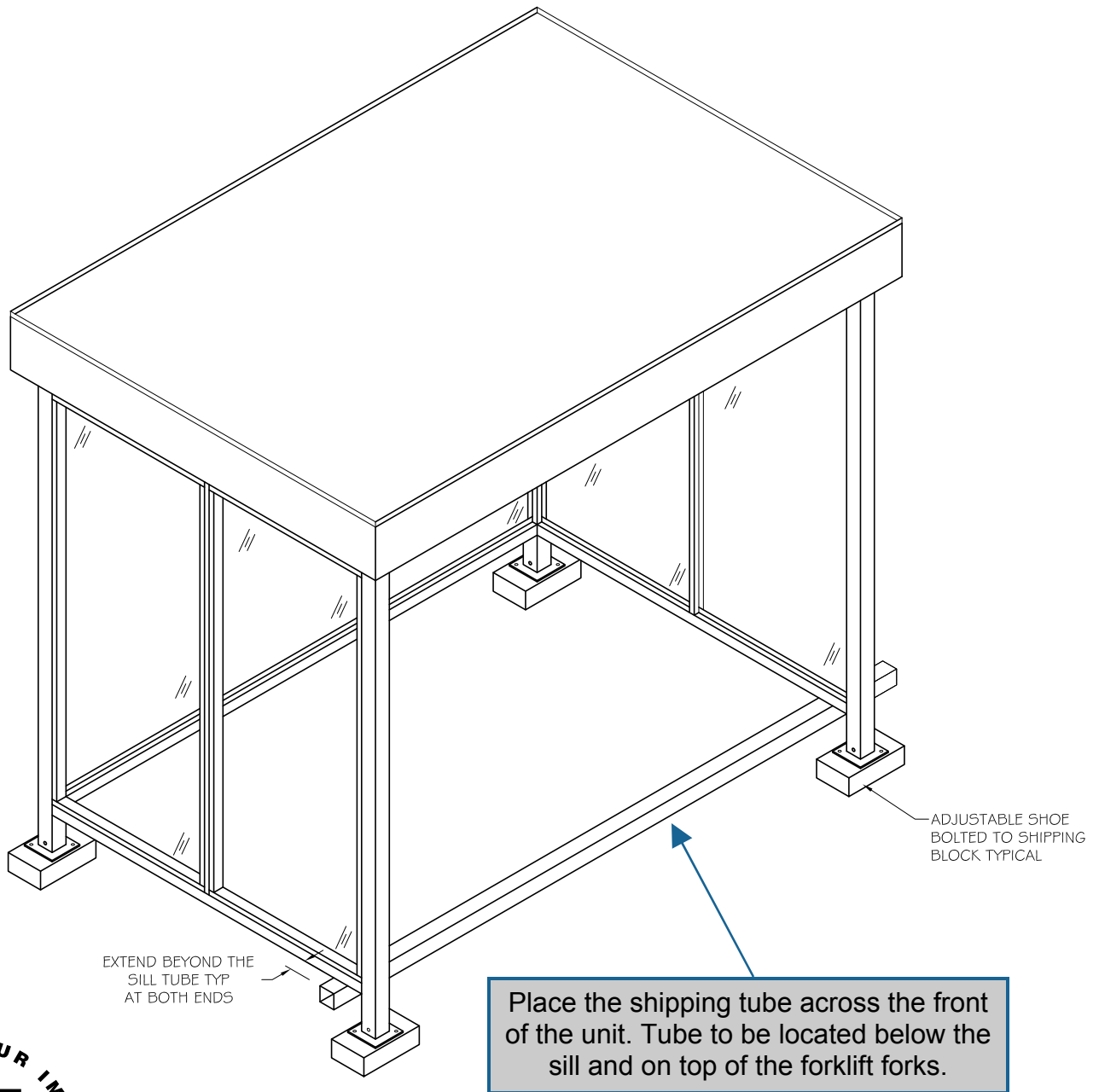


SHELTER OFF-LOADING INSTRUCTIONS

Forklift Handling Guidelines

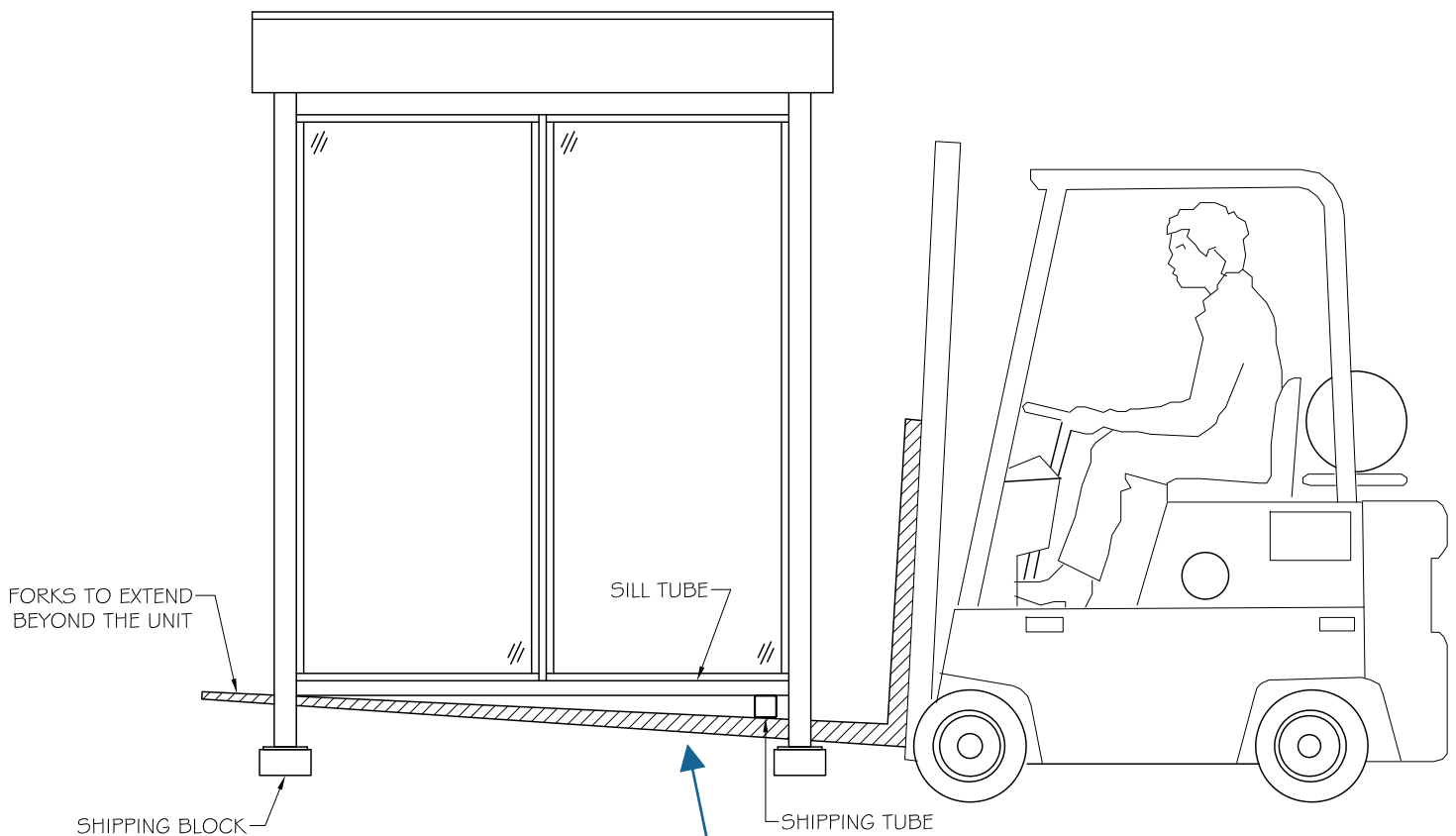
- **Forks must extend past the opposite edge of the shelter.**
- **Size the capacity of your forklift based on the weight distributed around the perimeter of the booth and on site reach needs.**



SHELTER OFF-LOADING INSTRUCTIONS

Forklift Handling Guidelines

- **There will be a height difference between the shipping tube and sill tube of the unit.**
- **Angle the forks to keep the unit in the upright position.**



Forks angled to correct the height difference at the shipping and sill tubes