

# INSTALLATION INSTRUCTIONS

## REQUIRED TOOLS & MATERIALS

- 3/4" Ratchet with deep socket and extension.
- Construction grade silicone or caulking
- Mild soap and water to wash unit
- Expansion anchor bolts. B.I.G. recommends The Kwik Bolt (KB-TZ). See your drawings for size and add a 1/4" to the length for anchor clip.

## INSTRUCTIONS

- Offload unit from the truck to a temporary location. See offloading instructions provided with the unit.
  - Detach shipping blocks from the booth anchors. Booths that have a floor come with removable cover plates over each anchor. See approved drawings for anchor locations.
  - Before setting the booth onto the concrete pad, apply two 1/2" beads of sealant at the booth footprint on the concrete as shown in fig. 1.
  - Set booth onto concrete pad, unit must slope towards drain openings.
  - Prior to anchoring, check the booth for alignment at the door(s) and sliding window(s). If it (they) operate properly, proceed to the next step. Otherwise, adjust the leveling of the unit and correct the alignment.
  - Anchor the booth to the concrete pad using a 3/4" ratchet. Replace removable covers above anchors (if applicable).
  - Re-check door(s) and sliding window(s) alignment. See Adjustment Instructions on page 7 in the warranty booklet for additional support.
  - Unit **must** be sealed to the pad to prevent water from entering the underside of the floor. Apply a continuous bead of caulking around the exterior perimeter of the booth. If the booth does not have a floor, apply a continuous bead of caulking on the interior perimeter of the booth as well as the exterior. See fig. 2
- NOTE: There should be no gaps in the sealant. Sealant is a maintenance item and should be inspected periodically.
- Remove the lifting eyes (if applicable), install set screws, or cover plates and seal with material provided. See fig 3.
  - If the unit arrives dirty from transportation, it can be washed with mild soap and water.

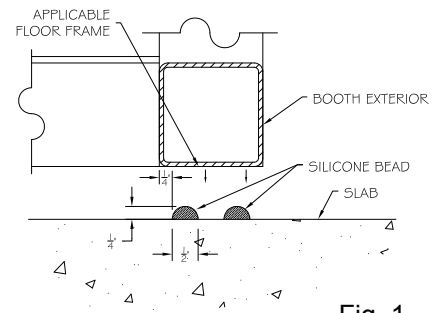


Fig. 1

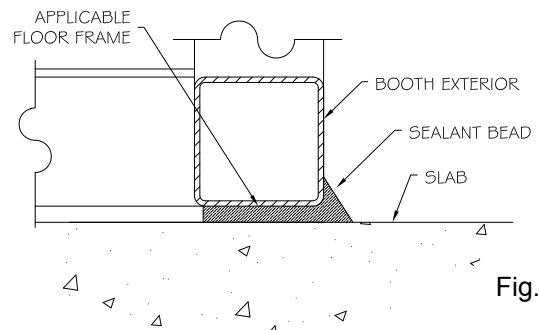
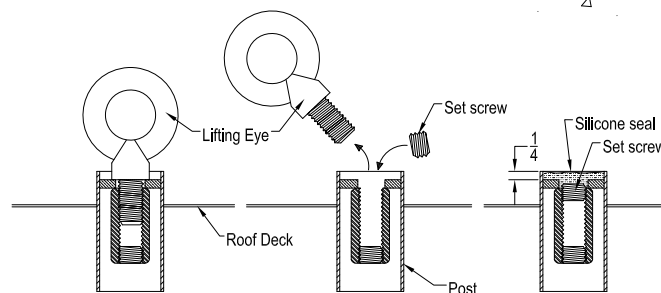


Fig. 2

Fig. 3



B.I.G. Enterprises, Inc.

9702 E. Rush Street, S. El Monte, CA 91733 - Phone: (626) 448-1449 Fax: (626) 448-3598