

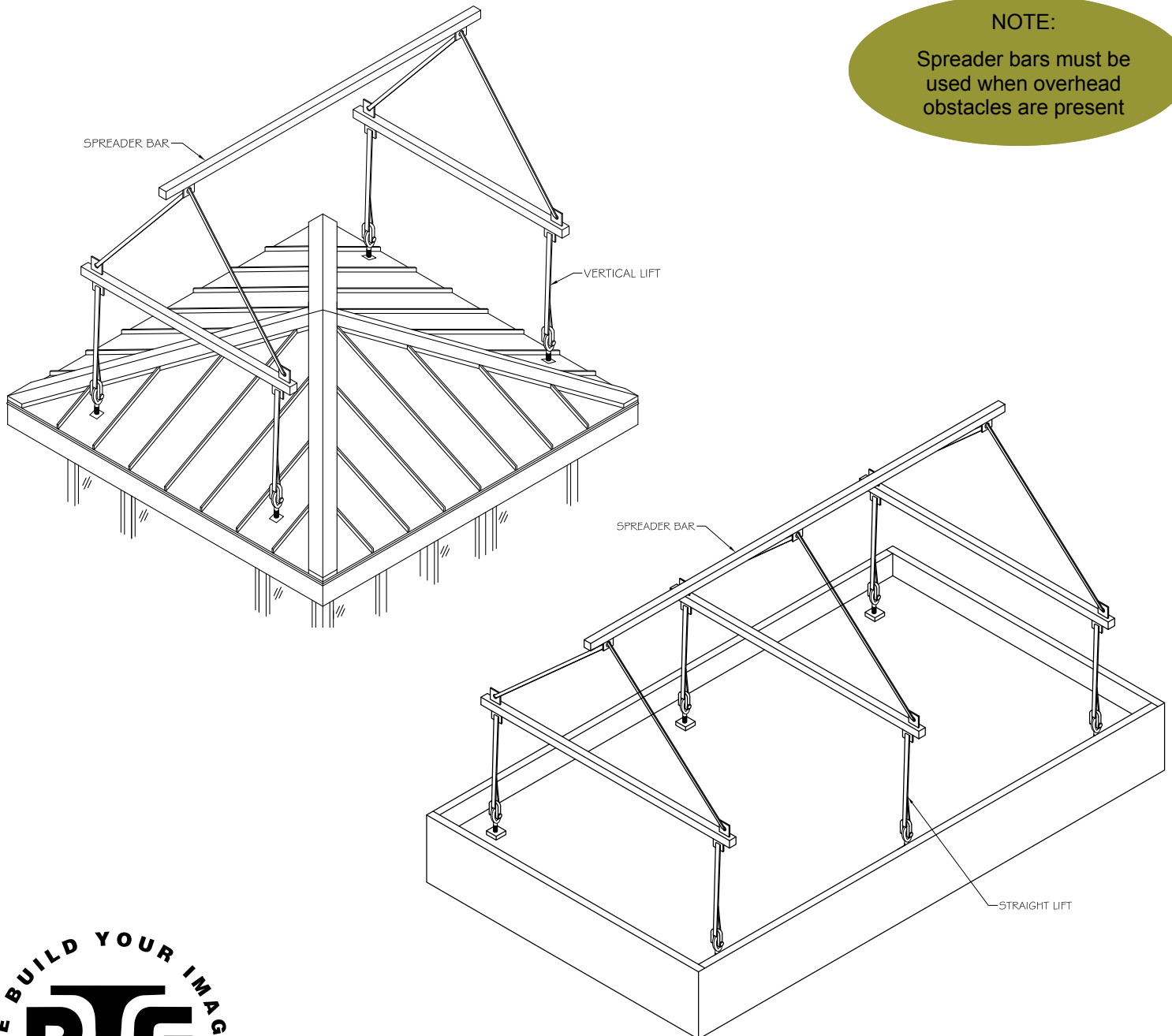
BOOTH OFF-LOADING INSTRUCTIONS

Vertical Lift Guidelines

- Units with lifting eyes require a vertical lift. Reference approved drawings.
- To avoid damaging this unit, you must use straps long enough (20' minimum) for a vertical lift or use a spreader bar. B.I.G. Enterprises, Inc. recommends a spreader bar.

NOTE:

Spreader bars must be used when overhead obstacles are present



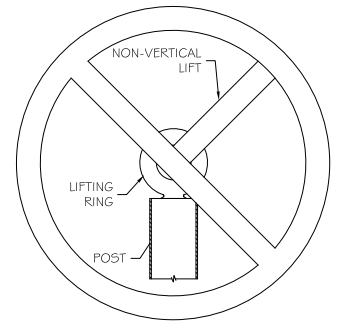
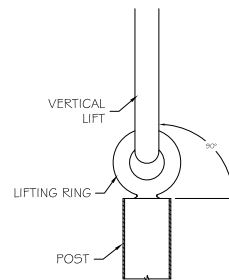
BOOTH OFF-LOADING INSTRUCTIONS

Vertical Lift Guidelines

- Units with lifting eyes require a vertical lift. Reference approved drawings.
- To avoid damaging this unit, you must use straps long enough (20' minimum) for a vertical lift or use a spreader bar. B.I.G. Enterprises, Inc. recommends a spreader bar.

NOTE:

Straps can be used when no overhead obstacles are present



Minimum 20' strap required for a vertical lift that has no overhead obstacles.

