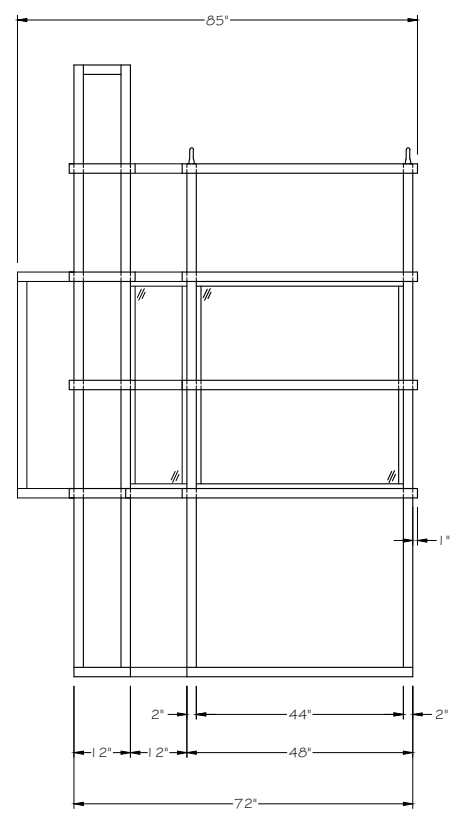


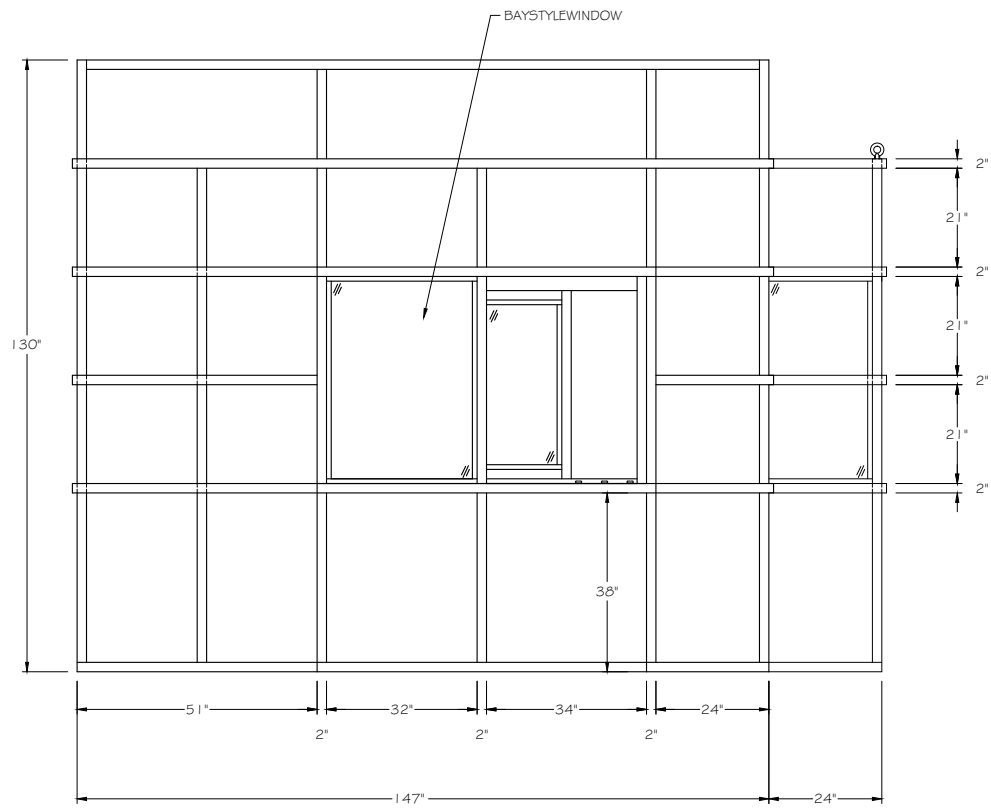
E1 LEFT ELEVATION
SCALE $\frac{1}{2}'' = 1' - 0''$



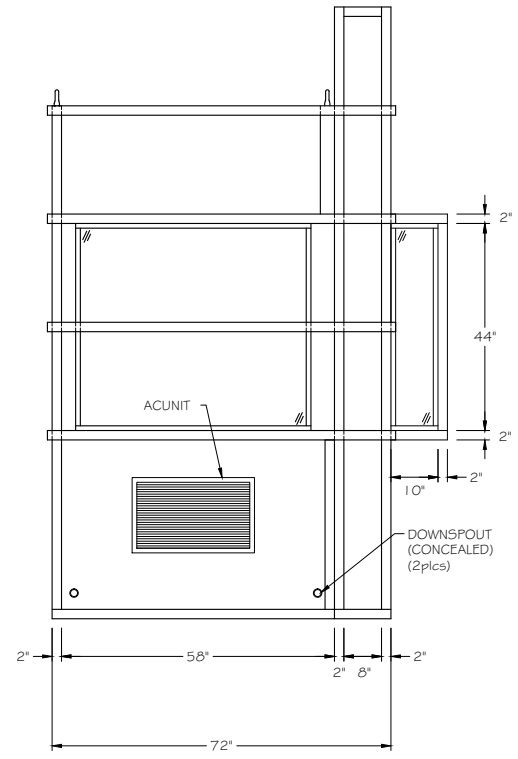
E2 FRONT ELEVATION
SCALE $\frac{1}{2}'' = 1' - 0''$

B.I.G. ENTERPRISES
THESE PLANS, DRAWINGS, AND/OR CADD FILES ARE THE COPYRIGHTED WORK OF B.I.G. ENTERPRISES AND IS A TRADEMARK OF B.I.G. ENTERPRISES. COPYING OR UNAUTHORIZED USE OF THESE DESIGNS OR ITS LIKENESS WILL BE PROSECUTED TO THE MAXIMUM EXTENT PERMITTED UNDER APPLICABLE STATE AND FEDERAL LAW. B.I.G. ENTERPRISES 1988 ALL RIGHTS RESERVED

THIS IS ONLY A SAMPLE SPECIFICATION AND/OR DRAWING. WE URGE YOU TO DISCUSS YOUR PROJECT WITH A B.I.G. SALES PERSON TO INSURE THIS SAMPLE SPEC, AND/OR DRAWING MEETS YOUR NEEDS AND TO VERIFY ALL CODES WHERE YOUR UNIT WILL BE INSTALLED ARE ACCURATELY IDENTIFIED IN THE DRAWING, AND/OR SPEC.



E3 RIGHTELEVATION
SCALE $\frac{1}{2}'' = 1'-0''$



E4 REARELEVATION
SCALE $\frac{1}{2}'' = 1'-0''$

TITAN

B.I.G. ENTERPRISES
THESE PLANS, DRAWINGS, AND/OR CAD FILES ARE THE
COPYRIGHTED WORK OF B.I.G. ENTERPRISES AND IS A
TRADEMARK OF B.I.G. ENTERPRISES. COPYING OR UNAUTHORIZED
USE OF THESE DESIGNS OR ITS LIKENESS WILL BE PROSECUTED
TO THE MAXIMUM EXTENT PERMITTED UNDER APPLICABLE STATE
AND FEDERAL LAW. B.I.G. ENTERPRISES © 1988 ALL RIGHTS
RESERVED

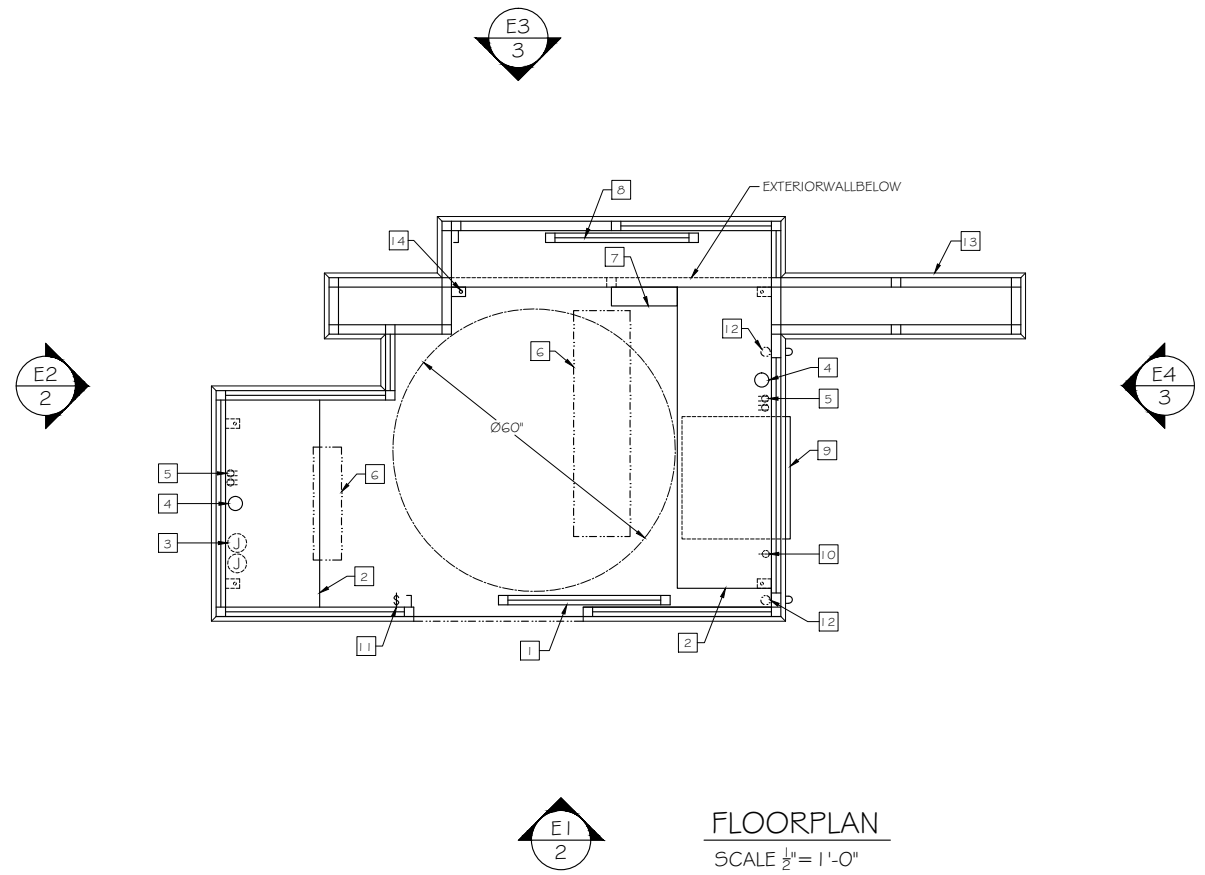
B.I.G. ENTERPRISES, INC.
9702E RUSH STREET
SOUTH MONTE, CA 91733-1730
(626) 448-1449





LEGEND:

- 1 36"x80" SLIDING DOOR
- 2 20" SHELF
- 3 TEL. JUNCTION BOX
- 4 3" CORD ACCESS HOLE
- 5 RECEPTACLES
- 6 FLUORESCENT FIXTURES
- 7 LOAD CENTER
- 8 SLIDING WINDOW
- 9 AIR CONDITIONER
- 10 A/C RECEPTACLE
- 11 INTERIOR LIGHT SWITCH
- 12 DOWNSPOUT
- 13 REVEAL
- 14 ANCHOR CLIP (5 PLACES) 2



FLOORPLAN
SCALE 1/2" = 1'-0"

B.I.G. ENTERPRISES
THESE PLANS, DRAWINGS, AND/OR CAD FILES ARE THE
COPYRIGHTED WORK OF B.I.G. ENTERPRISES AND IS A
TRADEMARK OF B.I.G. ENTERPRISES. COPYING OR UNAUTHORIZED
USE OF THESE DESIGNS OR ITS LIKENESS WILL BE PROSECUTED
TO THE MAXIMUM EXTENT PERMITTED UNDER APPLICABLE STATE
AND FEDERAL LAW. B.I.G. ENTERPRISES © 1988 ALL RIGHTS
RESERVED