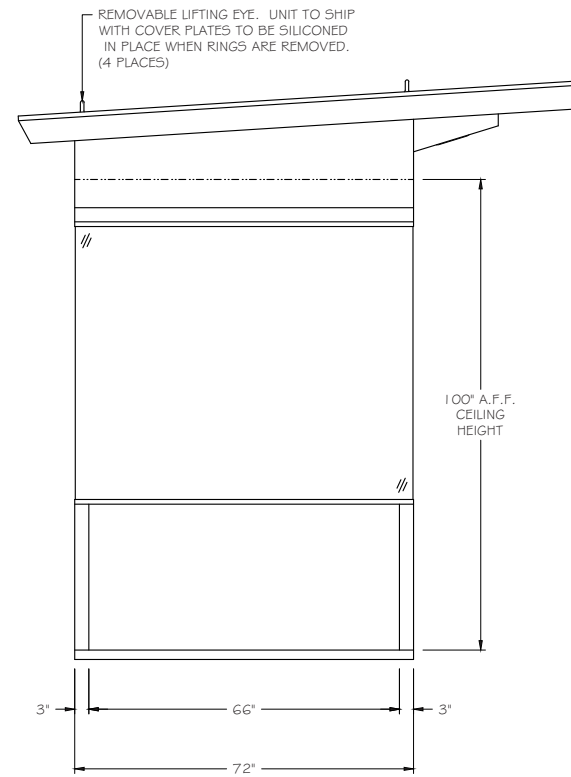


E1 LEFT ELEVATION
SCALE $\frac{1}{2}" = 1' - 0"$



E2 FRONT ELEVATION
SCALE $\frac{1}{2}" = 1' - 0"$

Wedge

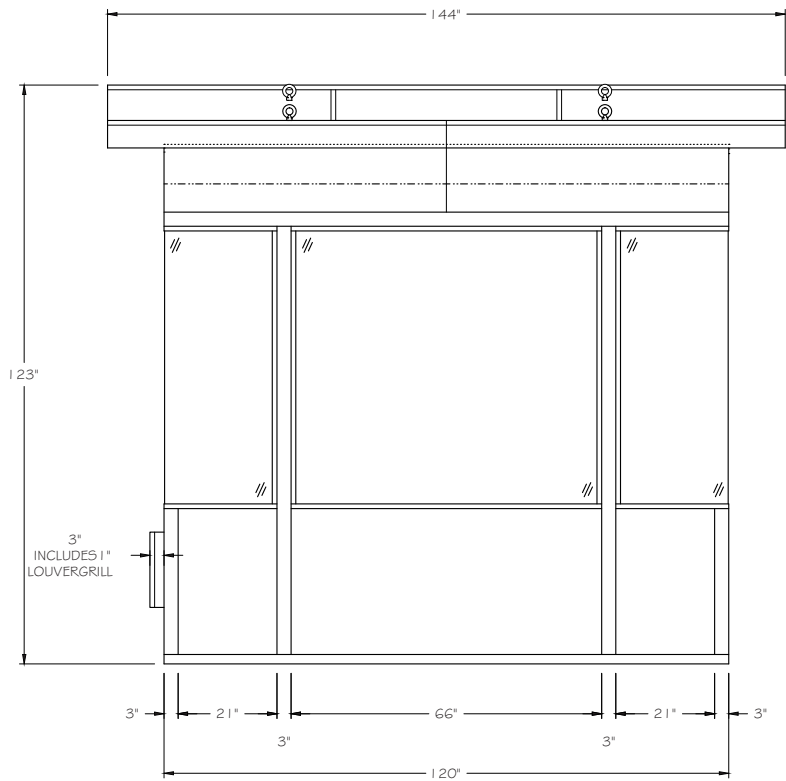
B.I.G. ENTERPRISES, INC.
9702 E. RUSH STREET
SOUTH EL MONTE, CA 91733-1730
(626) 448-1449



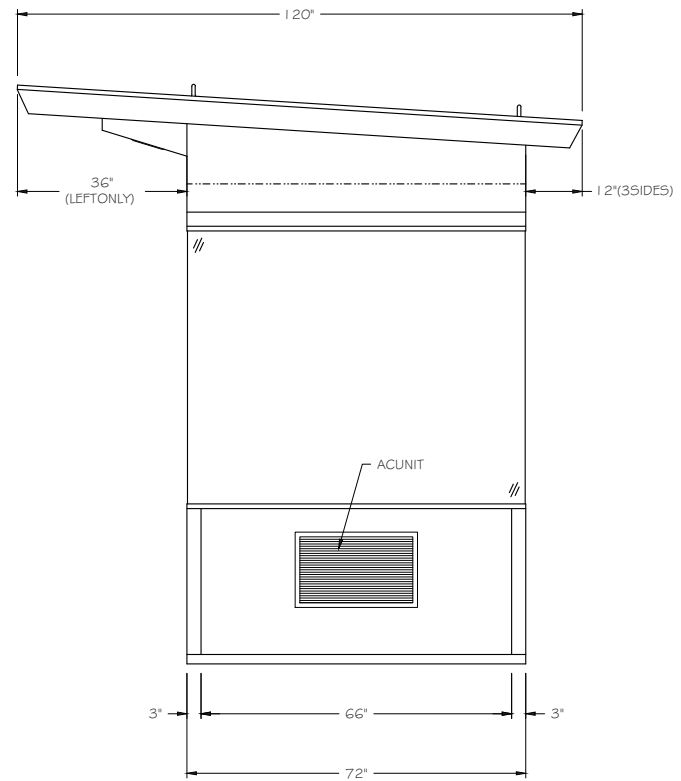
B.I.G. ENTERPRISES

THESE PLANS, DRAWINGS, AND/OR CADD FILES ARE THE COPYRIGHTED WORK OF B.I.G. ENTERPRISES AND IS A TRADEMARK OF B.I.G. ENTERPRISES. COPYING OR UNAUTHORIZED USE OF THESE DESIGNS OR ITS LIKENESS WILL BE PROSECUTED TO THE MAXIMUM EXTENT PERMITTED UNDER APPLICABLE STATE AND FEDERAL LAW. © B.I.G. ENTERPRISES 1988 ALL RIGHTS RESERVED

THIS IS ONLY A SAMPLE SPECIFICATION AND/OR DRAWING. WE URGE YOU TO DISCUSS YOUR PROJECT WITH A B.I.G. SALES PERSON TO INSURE THIS SAMPLE SPEC, AND/OR DRAWING MEETS YOUR NEEDS AND TO VERIFY ALL CODES WHERE YOUR UNIT WILL BE INSTALLED ARE ACCURATELY IDENTIFIED IN THE DRAWING, AND/OR SPEC.

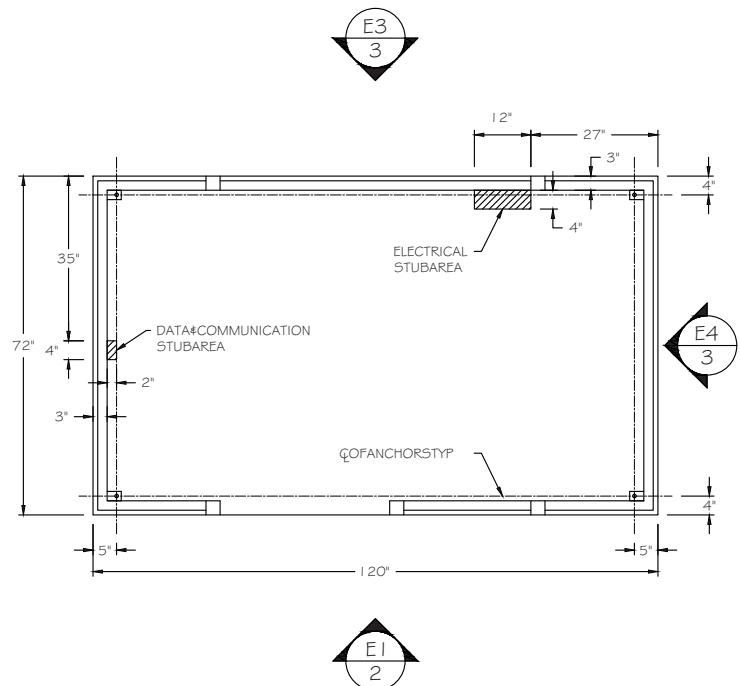
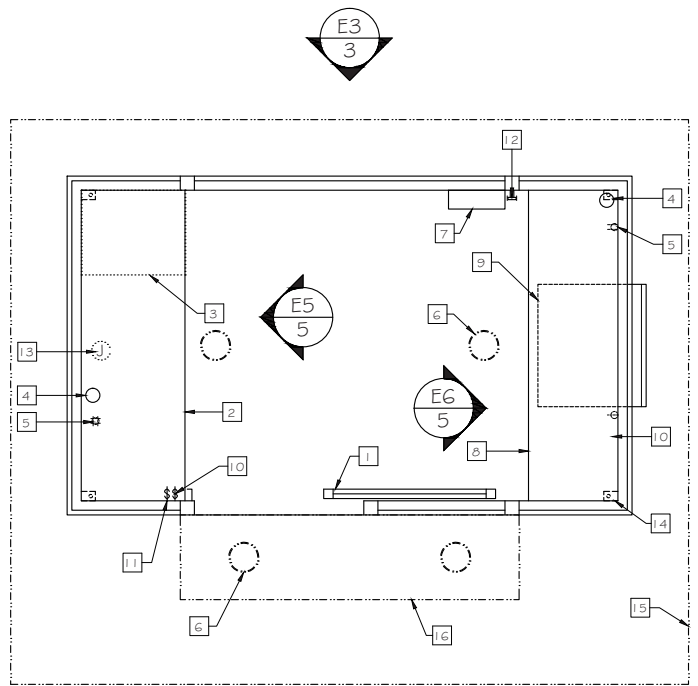


E3 RIGHT ELEVATION
SCALE $\frac{1}{2}'' = 1'-0''$



E4 REAR ELEVATION
SCALE $\frac{1}{2}'' = 1'-0''$

B.I.G. ENTERPRISES 
 THESE PLANS, DRAWINGS, AND/OR CAD FILES ARE THE
 COPYRIGHTED WORK OF B.I.G. ENTERPRISES AND IS A
 TRADEMARK OF B.I.G. ENTERPRISES. COPYING OR UNAUTHORIZED
 USE OF THESE DESIGNS OR ITS LIKENESS WILL BE PROSECUTED
 TO THE MAXIMUM EXTENT PERMITTED UNDER APPLICABLE STATE
 AND FEDERAL LAW. B.I.G. ENTERPRISES 1988 ALL RIGHTS
 RESERVED



LEGEND:

- | | |
|-----------------------------------|-----------------------------|
| 1 SLIDING DOOR | 10 INTERIOR LIGHT SWITCH |
| 2 22" SHELF | 11 EXTERIOR LIGHT SWITCH |
| 3 FILE CABINET | 12 COAT HOOK |
| 4 3" CORD ACCESS HOLE | 13 JUNCTION BOX - DATA COMM |
| 5 RECEPTACLES (3 PLACES) | 14 ANCHOR CLIP (4 PLACES) |
| 6 FLUORESCENT FIXTURES (4 PLACES) | 15 OVERHANG |
| 7 LOAD CENTER | 16 ARCHITECTURAL WEDGE |
| 8 19" SHELF | |
| 9 AIR CONDITIONER | |

FLOORPLAN

SCALE 1/2" = 1'-0"

STUBAREA

SCALE 1/2" = 1'-0"

B.I.G. ENTERPRISES

THESE PLANS, DRAWINGS, AND/OR CAD FILES ARE THE
COPYRIGHTED WORK OF B.I.G. ENTERPRISES AND IS A
TRADEMARK OF B.I.G. ENTERPRISES. COPYING OR UNAUTHORIZED
USE OF THESE DESIGNS OR ITS LIKENESS WILL BE PROSECUTED
TO THE MAXIMUM EXTENT PERMITTED UNDER APPLICABLE STATE
AND FEDERAL LAW. B.I.G. ENTERPRISES 1988 ALL RIGHTS
RESERVED